

Issue	Status	Date	Technical Approval	Assembly Approval
1		29.1.09		

Drawn:- S.P.H Date:- 29/01/2009

Dim:- mm Scale:- 1:20

Tolerances:-
 Linear: N/A
 Angular: N/A
 Holes: N/A
 Hole Centres: N/A
 Unless Otherwise Stated

DO NOT SCALE DRAWING

IF IN DOUBT ASK

Material:-
N/A

Finish:-
N/A

CEL
CHARLES ENDIRECT LTD

Wessex Way, Wincanton Business Park,
 Wincanton, Somerset, BA9 9RR
 Tel: +44 01963 828400
 Fax: +44 01963 828401
 Email: info@charlesendirect.com
 www.charlesendirect.com

ALL SUBJECT MATTER OF THIS DRAWING IS THE SOLE PROPERTY OF CHARLES ENDIRECT LTD.
 ANY REPRODUCTION IN PART OR AS A WHOLE WITHOUT THE WRITTEN PERMISSION OF CHARLES ENDIRECT LTD IS PROHIBITED.

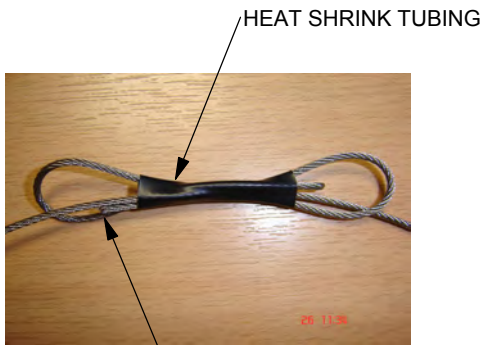
Project:-
CELSAFE

Title:-
TRIGGERED SYSTEM
L3/SF/X95/H12/6/C3/5 PIN
B125 GENERAL ARRANGEMENT

Drg No:-
CM270010-1

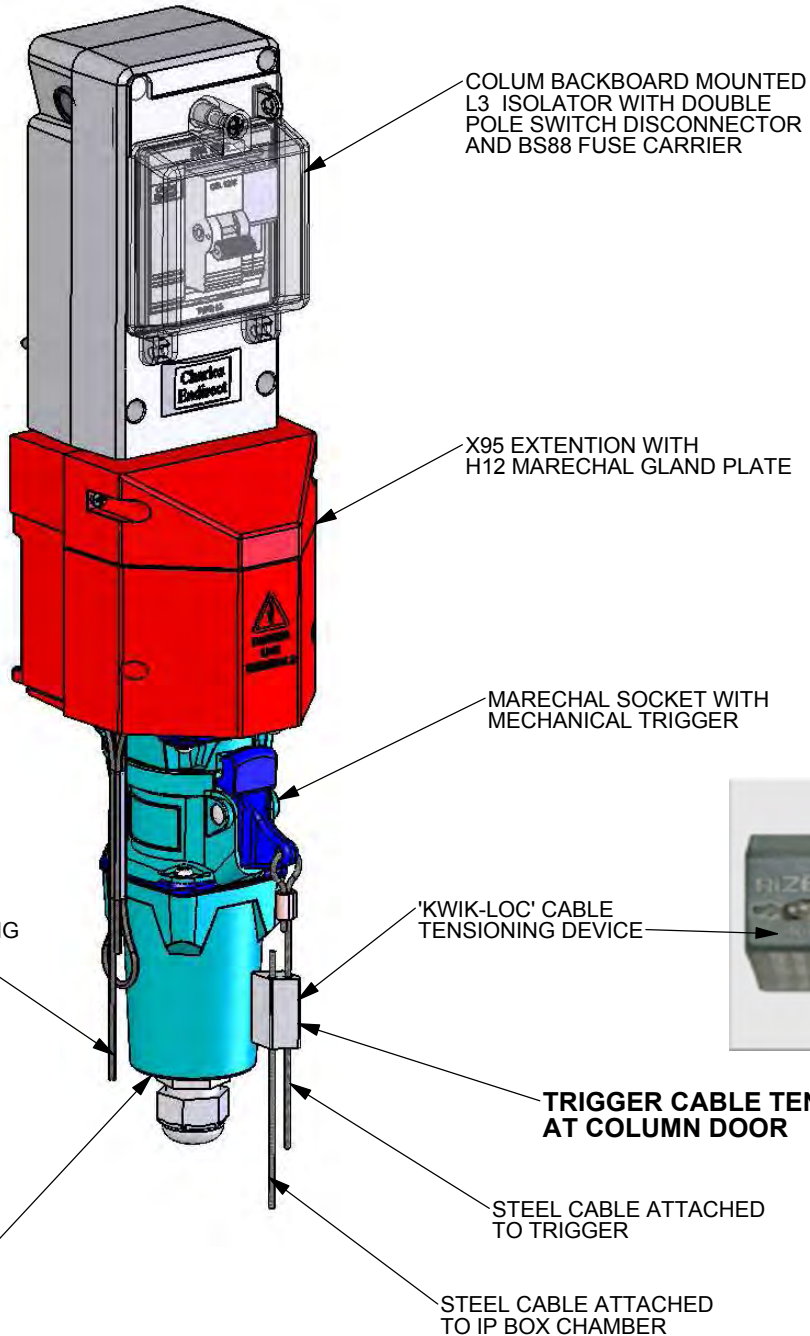
Sheet1 of 3

A3



HEAT SHRINK TUBING

BUTTERFLY DROP CABLE



COLUM BACKBOARD MOUNTED L3 ISOLATOR WITH DOUBLE POLE SWITCH DISCONNECTOR AND BS88 FUSE CARRIER

X95 EXTENSION WITH H12 MARECHAL GLAND PLATE

MARECHAL SOCKET WITH MECHANICAL TRIGGER

BUTTERFLY DROP CABLE

PREVENTS PLUG FALLING TO BASE OF COLUMN DURING MAINTENANCE

MARECHAL PLUG ELECTRICALLY CABLED TO IP BOXIN CHAMBER

'KWIK-LOC' CABLE TENSIONING DEVICE

TRIGGER CABLE TENSIONED AT COLUMN DOOR

STEEL CABLE ATTACHED TO TRIGGER

STEEL CABLE ATTACHED TO IP BOX CHAMBER



Issue	Status	Date	Technical Approval	Assembly Approval
1		29.1.09		

Drawn:- S.P.H Date:-

Dim:- mm Scale:- 1:20

Tolerances:-
 Linear: N/A
 Angular: N/A
 Holes: N/A
 Hole Centres: N/A
 Unless Otherwise Stated

DO NOT SCALE DRAWING

IF IN DOUBT ASK

Material:-
 N/A

Finish:-
 N/A



Wessex Way, Wincanton Business Park,
 Wincanton, Somerset, BA9 9RR
 Tel: +44 01963 828400
 Fax: +44 01963 828401
 Email: info@charlesendirect.com
 www.charlesendirect.com

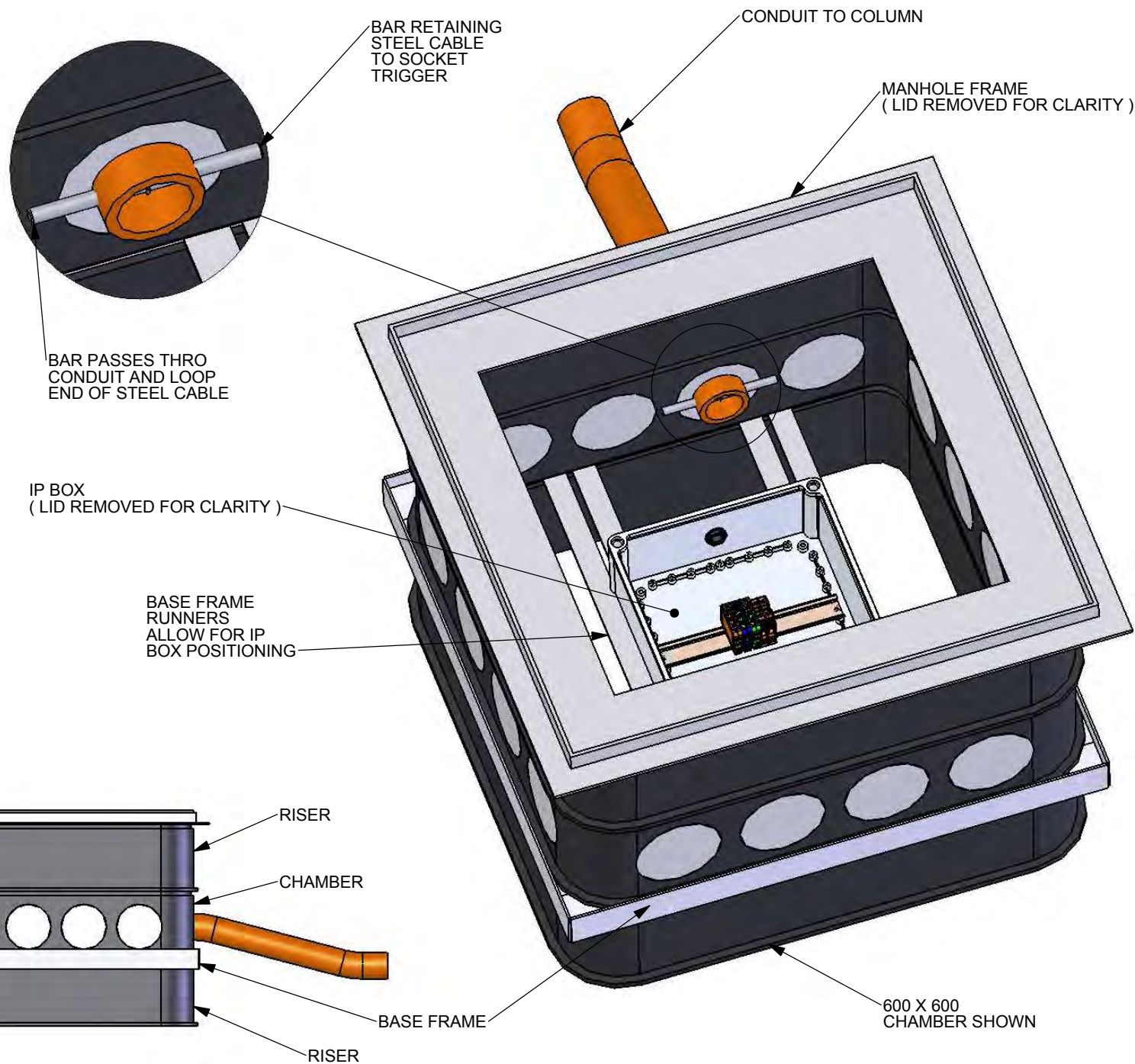
ALL SUBJECT MATTER OF THIS DRAWING IS THE SOLE PROPERTY OF CHARLES ENDIRECT LTD. ANY REPRODUCTION IN PART OR AS A WHOLE WITHOUT THE WRITTEN PERMISSION OF CHARLES ENDIRECT LTD IS PROHIBITED.

Project:-
 CELSAFE


Title:-
 TRIGGERED SYSTEM
 L3/SF/X95/H12/6/
 GENERAL ARRANGEMENT

Drg No:-
 CM270010-1

Sheet2 of 3 A3



Issue	Status	Date	Technical Approval	Assembly Approval
1		29.1.09		

Drawn:- S.P.H	Date:- 29/01/2009
Dim:- mm	Scale:- 1:20
Tolerances:- Linear: N/A Angular: N/A Holes: N/A Hole Centres: N/A Unless Otherwise Stated	
DO NOT SCALE DRAWING	
IF IN DOUBT ASK	
Material:-	N/A
Finish:-	N/A
	
Wessex Way, Wincanton Business Park, Wincanton, Somerset, BA9 9RR Tel: +44 01963 828400 Fax: +44 01963 828401 Email: info@charlesendirect.com www.charlesendirect.com	
<small>ALL SUBJECT MATTER OF THIS DRAWING IS THE SOLE PROPERTY OF CHARLES ENDIRECT LTD. ANY REPRODUCTION IN PART OR AS A WHOLE WITHOUT THE WRITTEN PERMISSION OF CHARLES ENDIRECT LTD IS PROHIBITED.</small>	
Project:-	CELSAFE
Title:-	TRIGGERED SYSTEM C3/ 5 PIN/ B125 GENERAL ARRANGEMENT
Drg No:-	CM270010-1
Sheet3 of 3	A3