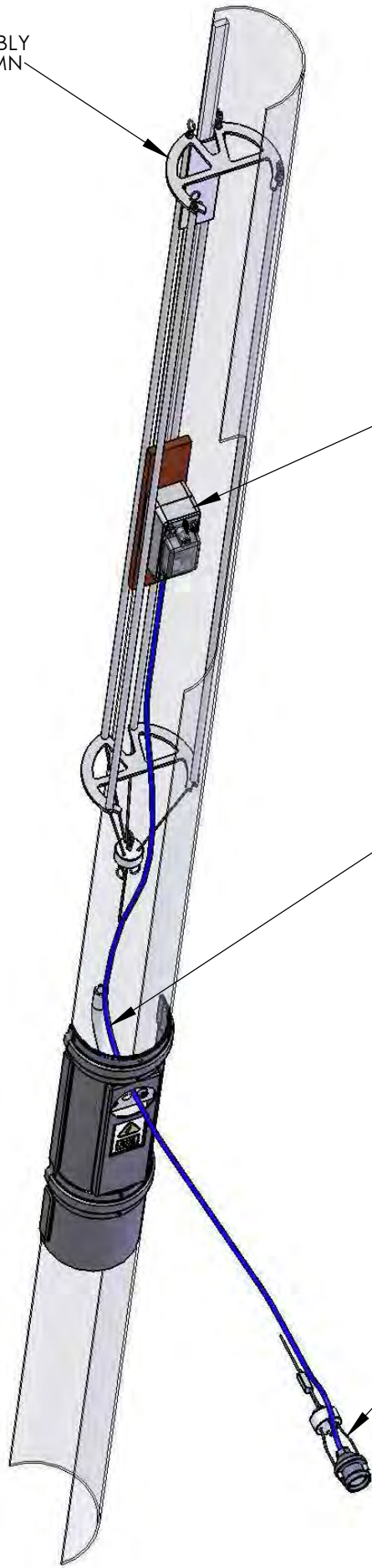


CAGE ASSEMBLY
INSIDE COLUMN

COLUMN ISOLATOR/CUTOFF

CABLE EXIST ASSEMBLY

PLUG CONNECTING
TO IP BOX IN GROUND
CHAMBER



CONFIDENTIAL DOCUMENT

ALL SUBJECT MATTER OF THIS DRAWING IS THE
PROPERTY OF CHARLES ENDIRECT LTD. AND
MUST NOT BE COPIED OR DIVULGED WITHOUT
WRITTEN PERMISSION FROM THE COMPANY.

TITLE:
**CELSAFE CAGED
SYSTEM
INFOTECH**

DWG. NO. **CM270007** ISSUE: **1**



Wessex Way, Wincanton, Somerset, BA9 9RR
Tel: 01963 828400 Fax: 01963 828401
Email: info@charlesendirect.com

DO NOT SCALE DRAWING

SHEET 1 OF 3

A3

COLUMN SECTIONED FOR CLARITY

DEFORMATION OF CAGE CAUSES TENSION IN STAINLESS STEEL CABLES WITHIN CAGE

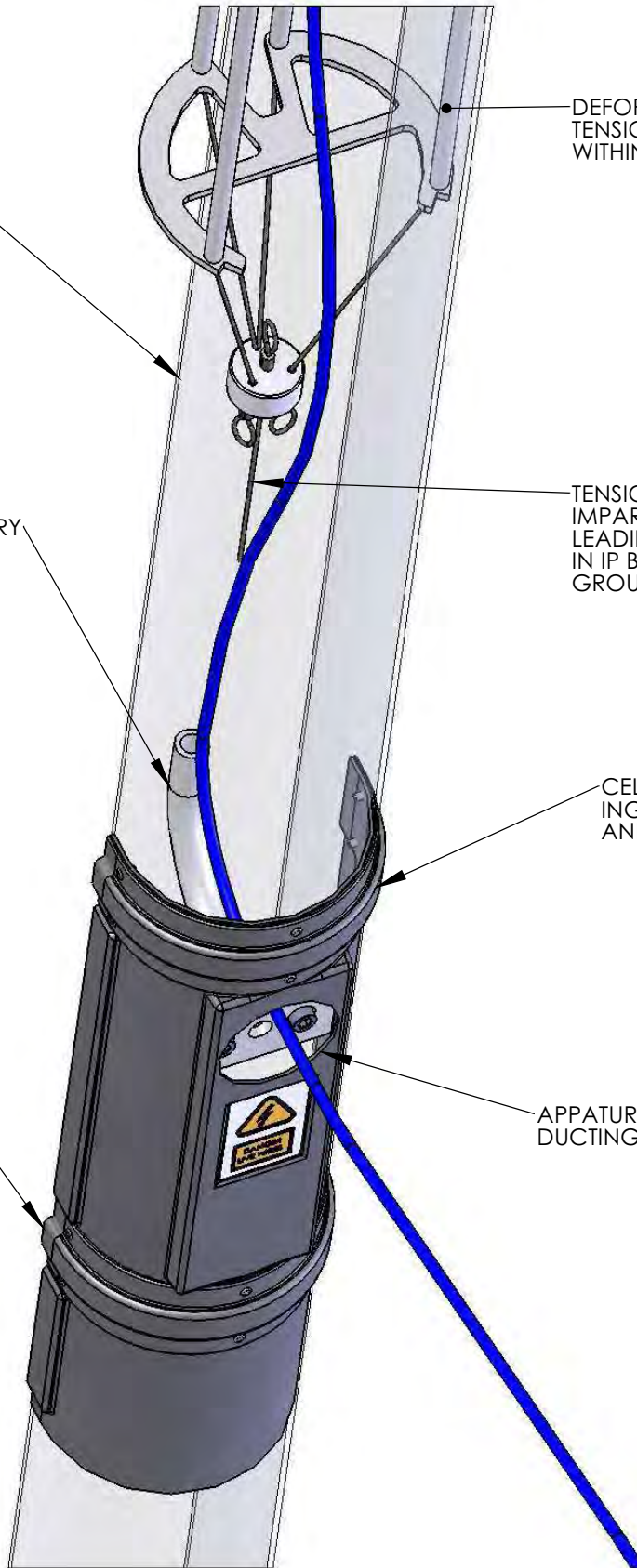
CABLE EXIT DIRECTS STAINLESS STEEL CABLE THROUGH THE COLUMN CABLE ENTRY

TENSION IN CAGE CABLES IMPARTS PULL ON CABLE LEADING TO PLUG HELD IN IP BOX SOCKET IN GROUND CHAMBER

CELSAFE DOOR RETAINED WITH HEAVY DUTY CABLE TIES

CELSAFE DOOR PREVENTS INGRESS KEEPING CABLE FREE AND SUPPORTS DUCTING

APPATURE FOR DUCTING



CONFIDENTIAL DOCUMENT

ALL SUBJECT MATTER OF THIS DRAWING IS THE PROPERTY OF CHARLES ENDIRECT LTD. AND MUST NOT BE COPIED OR DIVULGED WITHOUT WRITTEN PERMISSION FROM THE COMPANY.

TITLE: **CELSAFE CAGED SYSTEM
INFOTECH**

DWG. NO. **CM270007** ISSUE: **1**



Wessex Way, Wincanton, Somerset, BA9 9RR
Tel: 01963 828400 Fax: 01963 828401
Email: info@charlesendirect.com

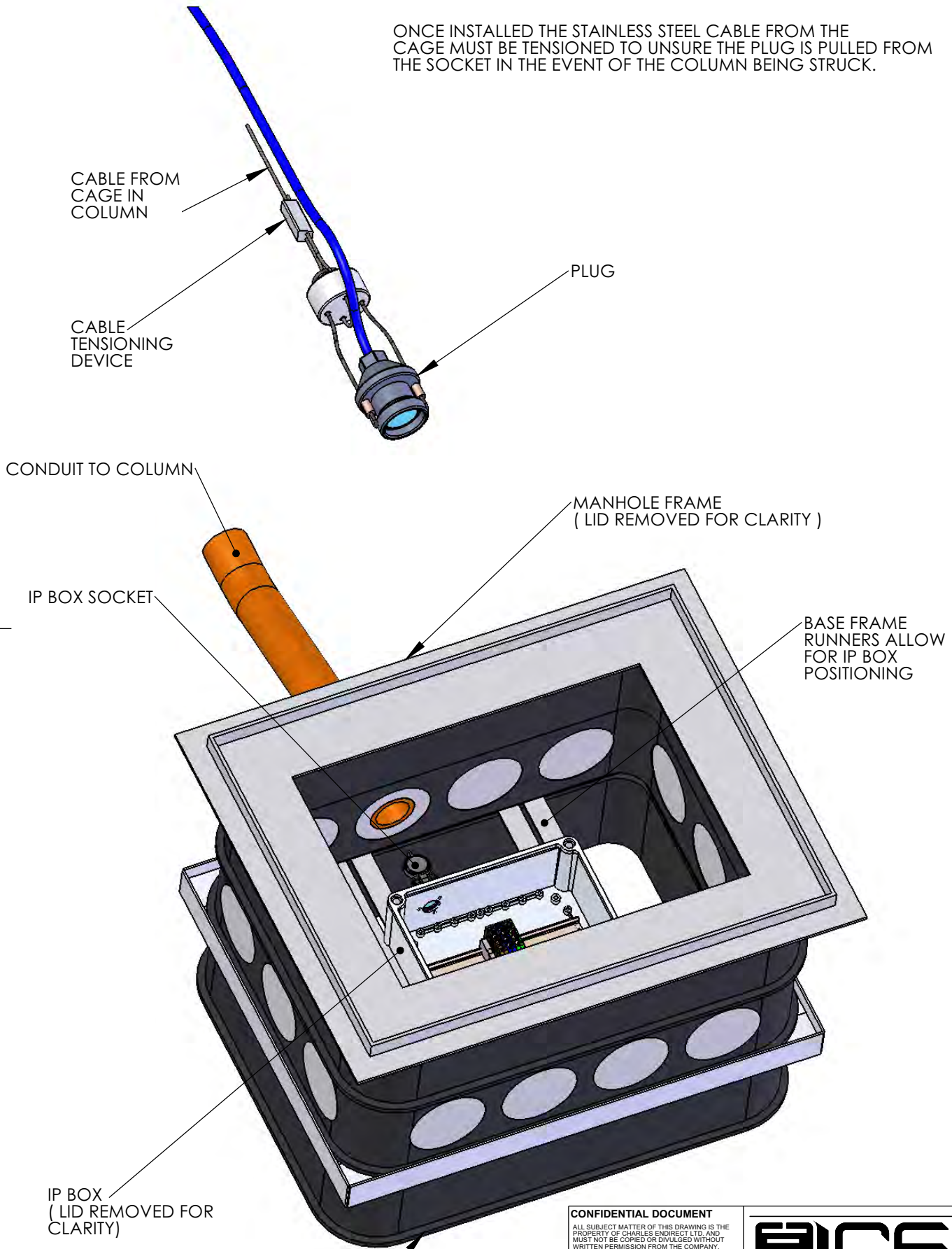
DO NOT SCALE DRAWING

SHEET 2 OF 3

A3

IF IN DOUBT ASK

ONCE INSTALLED THE STAINLESS STEEL CABLE FROM THE CAGE MUST BE TENSIONED TO UNSURE THE PLUG IS PULLED FROM THE SOCKET IN THE EVENT OF THE COLUMN BEING STRUCK.



600 x 450 CHAMBER SHOWN

CONFIDENTIAL DOCUMENT

ALL SUBJECT MATTER OF THIS DRAWING IS THE PROPERTY OF CHARLES ENDIRECT LTD. AND MUST NOT BE COPIED OR DIVULGED WITHOUT WRITTEN PERMISSION FROM THE COMPANY.

TITLE:
**CELSAFE CAGED SYSTEM
INFOTECH**

DWG. NO. ISSUE:

CM270007



Wessex Way, Wincanton, Somerset, BA9 9RR
Tel: 01963 828400 Fax: 01963 828401
Email: info@charlesendirect.com

DO NOT SCALE DRAWING

SHEET 3 OF 3

A3